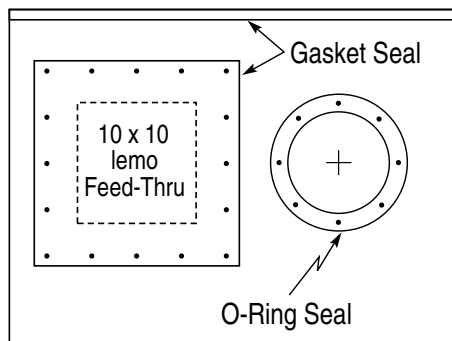
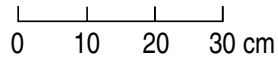
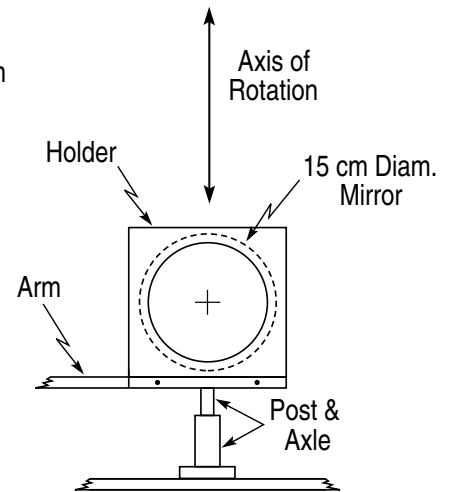


TOP VIEW
(a)



END VIEW
(b)



MIRROR ASSEMBLY
(c)

